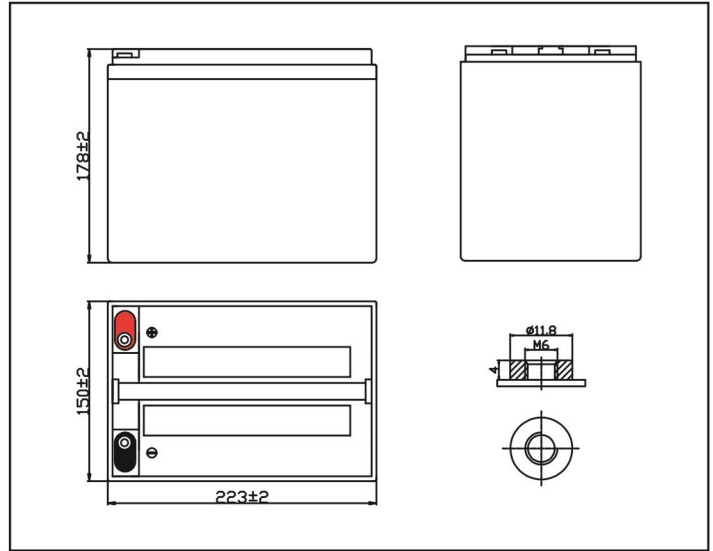


RC12-62G (12V, 62Ah)



Plane Chart:

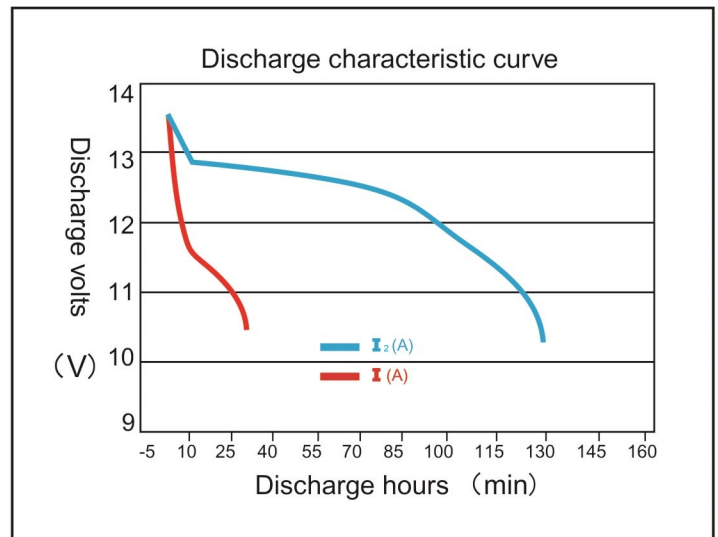
Unit:(mm) Terminal type:(D3)



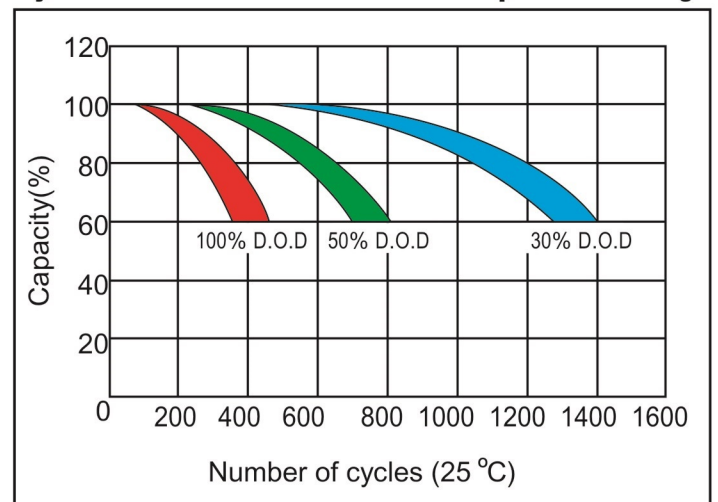
Parameter Chart:

Volts		12V	
Capacity(25 °C)	3 hours rate (20.6A)	62Ah	
	10 hours rate (7.0A)	70Ah	
Capacity Affected By Temperature	40 °C	102%	
	25 °C	100%	
	0 °C	85%	
	-15 °C	70%	
Residual Capacity (25 °C)	Capacity After 3 Months Storage	90%	
	Capacity After 6 Months Storage	80%	
	Capacity After 12 Months Storage	60%	
Design cycle service life		4 years	
Charge (Constant Voltage)	Cycle (25 °C)	Initial Charging Current Less Than 18.6A Voltage 14.5~14.9V	
	Float (25 °C)	Charge Voltage 13.6~13.8V	
Weight (Approx)		16.6Kg	

Performance curve



Cycle service life in relation to the depth of discharge



★The above are average and data obtained from the first 3 charge/discharge cycles. These are not minimum values.